

Continuous cellular wheel weighers type WZ

with electronic weighing system



Continuous cellular wheel weigher type WZ with capacity ranges from 10 to 100 t/h

Continuous cellular wheel weighers are used for continuous registration/measurement of bulk product flows of mealy, powdery, fibrous, and structured products.

Measurement is effected with an accuracy of $\pm 2\%$.

The output signal serves as reference signal for control loops, with which the proportioning of further product flows, such as liquids and steam, is controlled.

The capacity ranges from 10 to 100 t/h depending on the type series.

Design

Product proportioning onto the cellular wheel is effected by means of almost pulsation-free proportioning screws. Variable-speed drives and a screw configuration adapted to the product properties serve for uniform feeding of the products.

The continuous cellular wheel weigher consists of a weighing frame with removable hood and inspection flaps. A cellular wheel made of a special material serves as weighing unit. The continuous weighers are adapted to the bulk product flows by their constant speed and the defined cell volume.

KAHL
plant engineering



The company **KAHL** supplies complete compound feed factories, plants, and machines.

KAHL Continuous cellular wheel weighers

A load cell continuously measures the weight of the filled cellular wheel and thus the instantaneous weight of the varying product flow and transmits the signal to the electronic measurement system. This makes available an analogue standard signal 4 - 20 mA for external control tasks.

As protection against pollution and thus falsification of the measuring signal the cells are cleaned at regular intervals and in an adjustable pulse train with compressed air.

Technical data

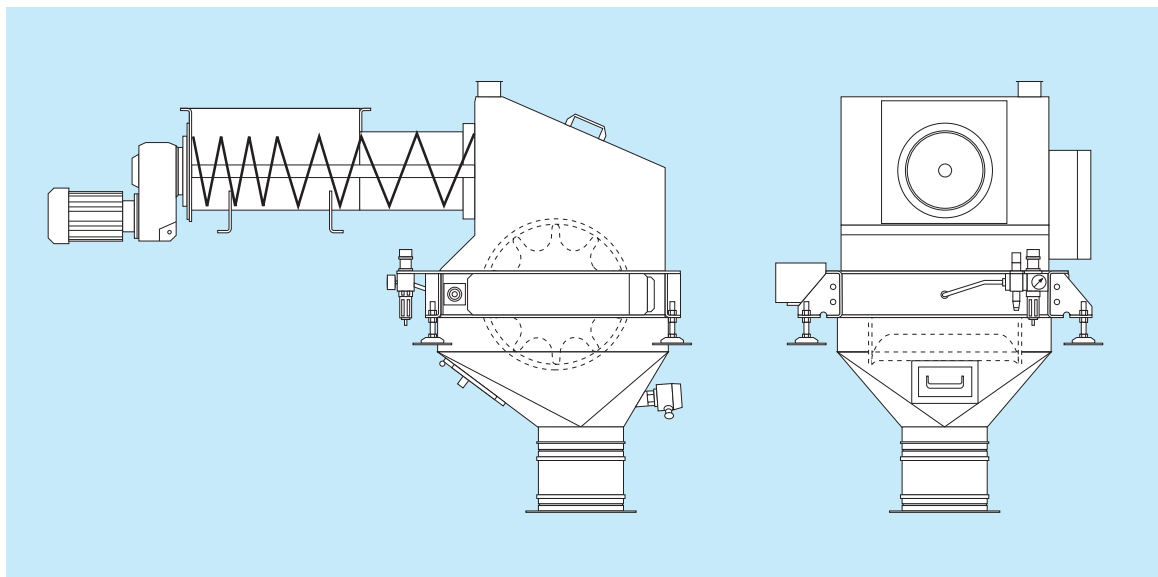
Three different types are available:

WZ III, IV, and V

with capacities of
10, 16, 25, 40, 63, 100 t/h
20 – 300 m³/h

Proportioning units:

Simplex 200, 250, 315
Duplex 150, 200, 315, 400



Continuous cellular wheel weighers type WZ with electronic weighing system



AMANDUS KAHL GmbH & Co. KG

Dieselstrasse 5-9
D-21465 Reinbek / Hamburgo
Teléfono: +49 (0)40 727 71 - 0
Fax: +49 (0)40 727 71 - 100
info@amandus-kahl-group.de
www.akahl.de

AMANDUS KAHL IBÉRICA S.L.

C/ Resina 33 G Nave 14
CP: 28021 Madrid / España
Tel: +34 91 527 15 31
Fax: +34 91 530 43 60
kahliberica@akahl.es
www.akahl.es