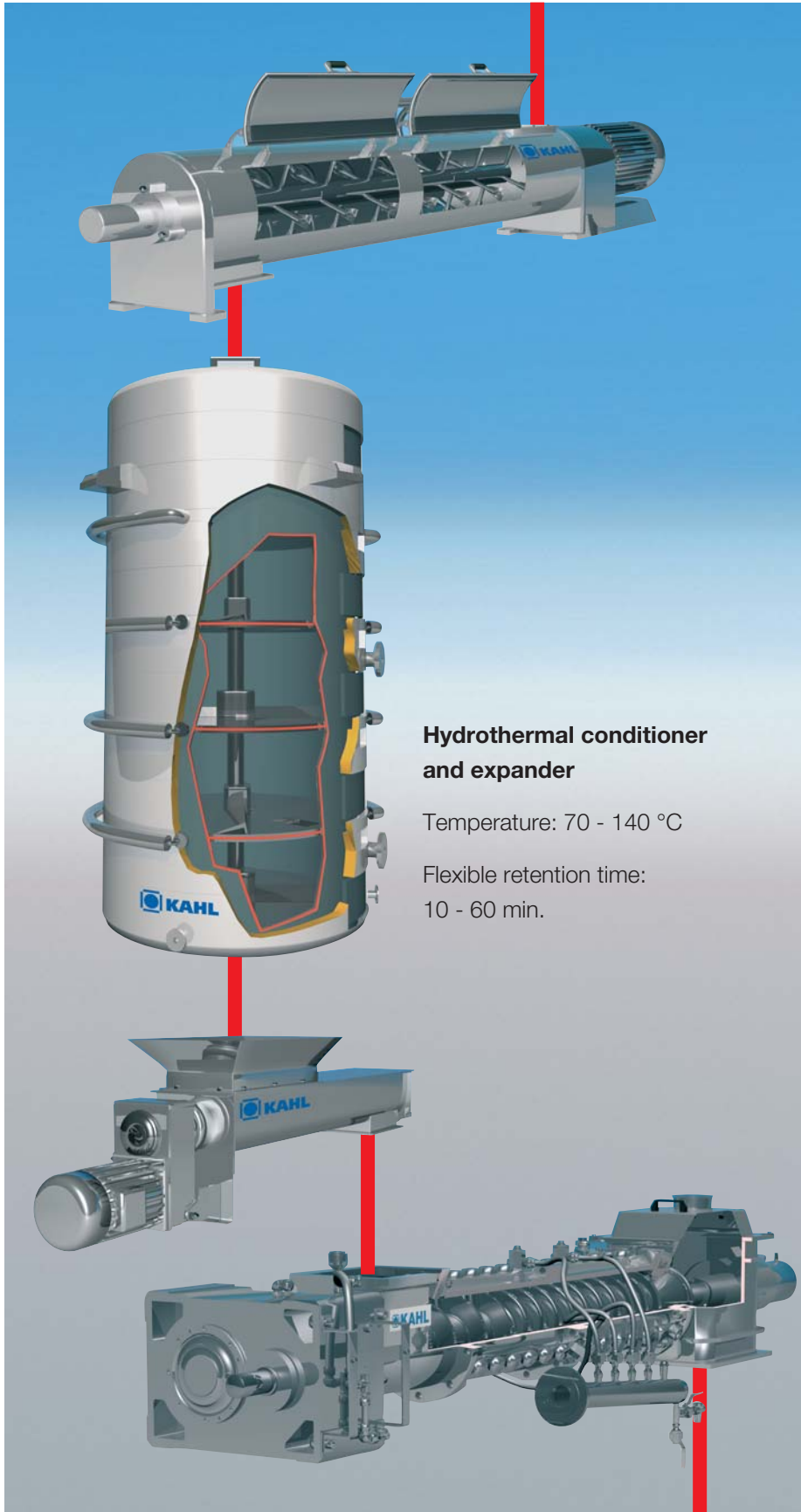


Safe Solutions for Your Success:



Individual Conditioning Systems for Hygienic Treatment



Hydrothermal conditioner and expander

Temperature: 70 - 140 °C

Flexible retention time:
10 - 60 min.

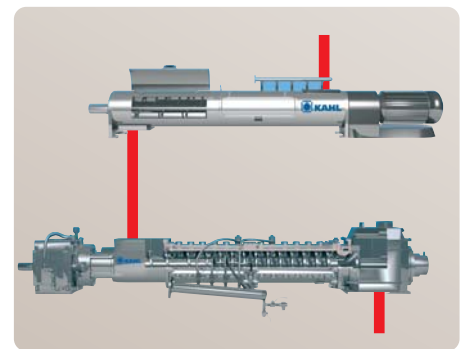
- Proven technology for high-quality feeds
- Precise process parameter control
- Easy to operate and maintain



VarioPlus conditioner

Temp.: 50 - 95 °C

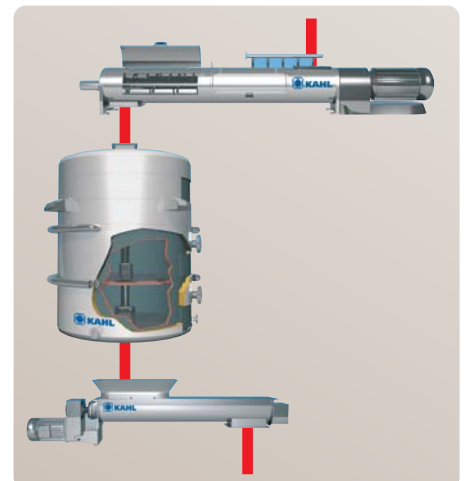
Retention time: 30 - 240 s



Short-term conditioner and expander

Temp.: 90 - 140 °C

Retention time: 5 - 30 s



Long-term conditioner

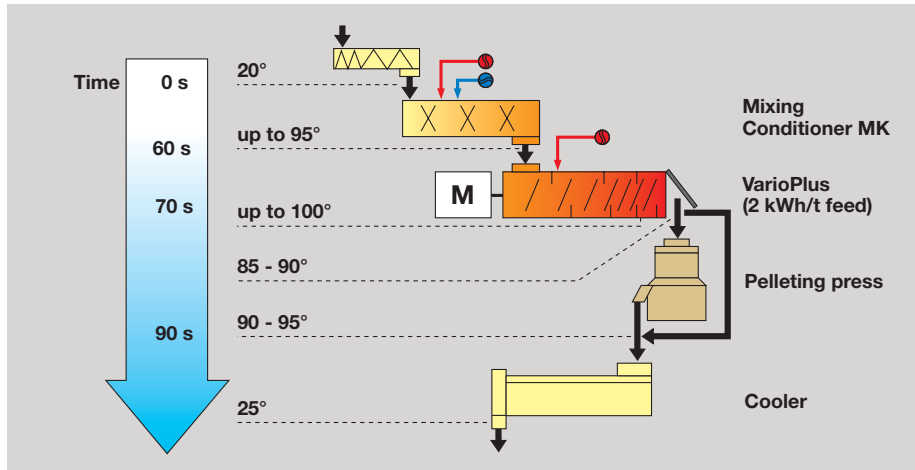
Temp.: 70 - 100 °C

Retention time: 2 - 10 min.

KAHL Hygiene Concept:

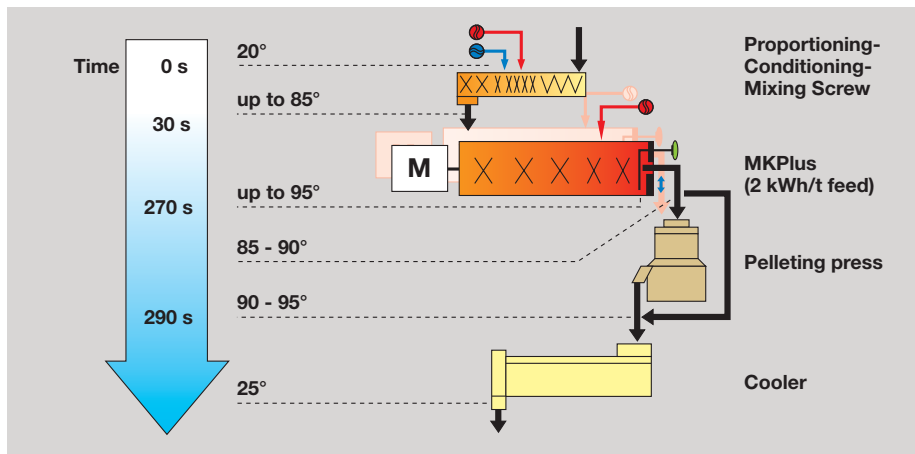
“HygienePlus”

Uniform temperature and moisture distribution in the product



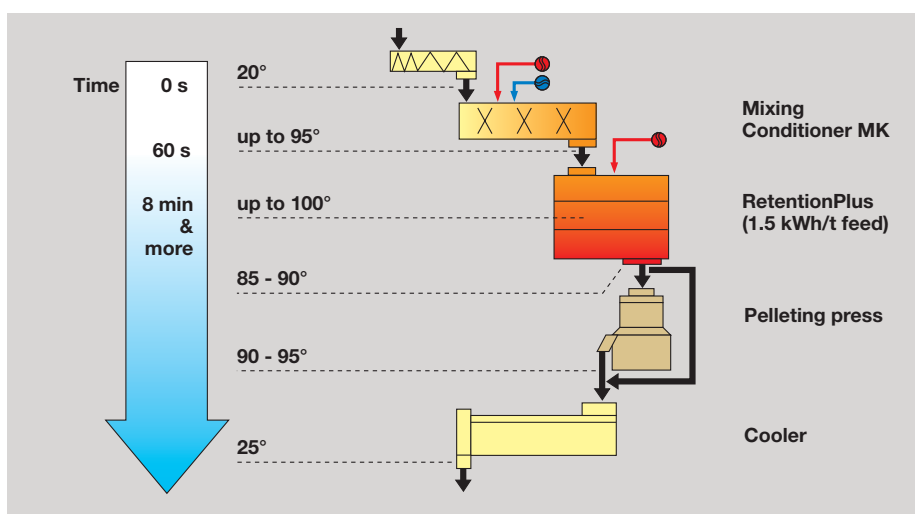
Concept: KAHL “VarioPlus”

- Very good hygienisation
- Kneading effect is more effective than retention time
- Less moisture, temperature by means of friction
- Improvement of the feed value
- First-in-first-out principle
- Small batches
- High flexibility
- Modification to expander possible
- Low construction height
- Higher press capacity and pellet quality



Concept: KAHL “MKPlus”

- Very good conditioning
- Improvement of the feed value
- First-in-first-out principle
- Variable filling quantity
- Variable capacity
- High flexibility
- Low construction height
- Temperature by means of friction, 2 kWh/t



Concept: KAHL “RetentionPlus”

- Very good hygienisation
- Ideal for mash feed
- Retention time up to 8 min. and more
- Improvement of the feed value
- First-in-first-out principle
- High flexibility
- Can be combined with the expander for the treatment of mono-components
- Better pellet quality
- Higher press capacity



AMANDUS KAHL GmbH & Co. KG

Dieselstrasse 5-9
D-21465 Reinbek / Hamburgo
Teléfono: +49 (0)40 727 71 - 0
Fax: +49 (0)40 727 71 - 100
info@amandus-kahl-group.de
www.akahl.de

AMANDUS KAHL IBÉRICA S.L.

C/ Resina 33 G Nave 14
CP: 28021 Madrid / España
Tel: +34 91 527 15 31
Fax: +34 91 530 43 60
kahliberica@akahl.es
www.akahl.es